

REACT

QUALITY FIRST

T300 WHEEL LOADER - 130HP

SPEC SHEET

SPECIAL FEATURES

- 3 Ton Capacity
- 130 HP Cummins 6BTA5.9-C130
- Genuine Cummins 2000hr/2 yr warranty
- New Engine Inspection by Cummins Before Delivery
- Extra Large Aluminium Radiator
- Long Life Coolant
- ROPS / FOPS
- Rego / UHF – Road Pack Available
- YD13 ZF Technology Powershift Transmission
- 4 Fwd / 3 Rev Gears with Safety Lock Out
- 38 km/h Road Speed
- Gear Kick Down Function
- 2m³ General Purpose Bucket
- Heavy Duty Pallet Forks
- Heavy Duty Hay Forks
- 12 Stud Axles
- Steering Priority Valve
- Hydraulic Pilot Control
- Auto Forward Reverse
- Hydraulic Quick Release Hitch with Safety Lock Out
- 3,200 mm Dumping Height
- Float Function
- Auto Level

- 3rd Function Hydraulics
- Hydraulic Hose Protection
- Auto Greasing
- Luxurious Extra Large Cab
- Reverse Camera / Reverse Alarm
- FM Radio, Fire Extinguisher, Drink Holder & Glass Breaker
- Battery Isolation Switch
- Adjustable Steering Column
- Sound Proofing, Cab Fan & Sun Visor
- Electric Park Brake
- UV Protected Windows
- Australian Standards Air Conditioning
- LED Light Bars Front & Rear
- LED Lights, Blinkers, Hazards & Mirrors
- High Lift Engine Bonnet
- Brilliant Access to Filters, AC & Engine Components
- Rear Access Door To Radiator

Available Extras:

- Numerous Attachments
- Soft Ride
- Rear Rippers
- On Road Package
- UHF
- Registration

Finance Available

IAN EVANS
0427 180 673
IAN@TOUGHINDUSTRIAL.COM.AU

SHANE BLUMSON
0436 521 151
SHANE@TOUGHINDUSTRIAL.COM.AU

LOCATION: 15 CARDIFF CRT. CAVAN. ADELAIDE - SOUTH AUSTRALIA

REACT

QUALITY FIRST

SPEC SHEET



T300 WHEEL LOADER - 130HP

TECHNICAL SPECIFICATIONS - 3 TON CAPACITY

Performance

Rated Load	3,000 kg
Overall Weight	11,000 kg
Bucket Capacity	2 m ³
Underbelly Clearance	400 mm
Max. Dump Height	3,200 mm
Max. Dump Reach	980 mm
Overall Dimension	Length 7,150 mm Width 2,400 mm Height 2,850 mm

Engine

Model	Cummins 6BTA5.9-C130
Type	Turbocharged / Water Cooled
Rated RPM	2,200 rpm
Rated Power	130 hp / 97 kw
Max. Torque	670 nm

Service Refill Capacities

Fuel	100 ltr
Hydraulic Oil	90 ltr
Engine Oil	15 ltr
Transmission	35 ltr
Axles x 2	16 ltr

Transmission

YD13

Type	YD13 ZF technology Powershift Trans.
Gears	4 Forward, 3 Reverse
Working Pressure	1.6 mpa
Max. Speed	38 km/h

Drive Axle

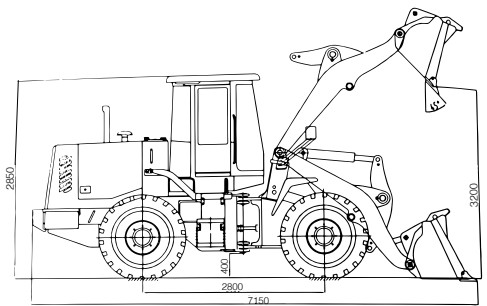
Main Reducing Spiral	Planetary reduction
Decelerating Mode	
Wheel Base	2,800 mm
Inner Wheel Tread	1,250 mm
Ground Clearance	400 mm

Hydraulic System

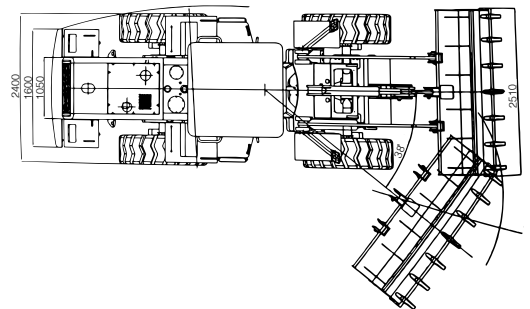
System Working Pressure	18.5 mpa
Boom Lifting Time (max load)	5.5 Sec
Lowering Time (empty)	3.5 Sec
Dumping Time (empty)	1.5 Sec
Auto Bucket Level	Yes
3rd Function Oil Flow	180 - 200 lpm

Tyres

Type (tubeless)	17.5-25 16 ply
Front Tyre Pressure	45 psi
Rear Tyre Pressure	40 psi



*All diagram measurements in millimeters (mm)



Prices exclude GST

WWW.REACTINTERNATIONAL.COM.AU