

REACT

QUALITY FIRST

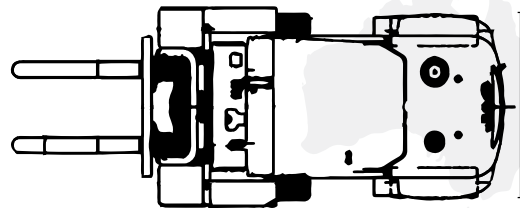
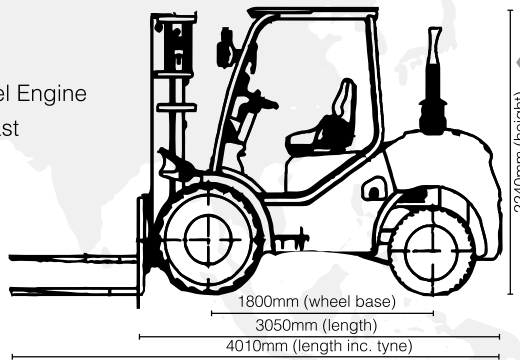
H2.5T ALL TERRAIN FORKLIFTS

SPEC SHEET



SPECIAL FEATURES

- 2.5 Ton Lifting Capacity
- Xinchai Perkins 65HP Diesel Engine
- 4.5m 3 Stage Container Mast
- Auto Trans
- 21km/h Top Speed
- Fork Positioner
- Side Shift
- Pneumatic Tyres
- LED Lights
- Aluminum Radiator
- Fork Tyne length: 1070mm
- Fork Tyne width: 122mm
- Lifting height: 2900mm
- Ground clearance: 275mm



RIV24072023

JACOB
0427 180 673
JACOB@TOUGHINDUSTRIAL.COM.AU

AARON
0456 676 700
AARON@TOUGHINDUSTRIAL.COM.AU

KAHIL
0400 459 097
KAHIL@TOUGHINDUSTRIAL.COM.AU

13 NEWCASTLE CRESCENT, CAVAN, SA. 5094