

REACT

QUALITY FIRST

T600 WHEEL LOADER - 240HP



SPEC SHEET

SPECIAL FEATURES

- 6 Ton Lifting Capacity
- 240 HP Cummins 6CTA8.3-C240
- Genuine Cummins 2000 hr/2yr Warranty
- New Engine Inspection by Cummins
- Extra-Large Aluminium Radiator
- Long Life Anti Corrosion Coolant
- 4 speed ZF WG 200 Powershift Transmission
- 4 Fwd / 3 Rev Gears with Safety Lock Out
- 38 km/h Road Speed
- Gear Kick Down Function
- 3.5m³ General Purpose Bucket
- Heavy Duty Pallet Forks
- Heavy Duty Hay Forks
- 12 Stud Axles
- Steering Priority Valve
- Hydraulic Pilot Control
- Hydraulic Quick Release Hitch
- Quick Hitch Safety Lock Out
- 3,700 mm Dumping Height
- Float Function
- Auto Level
- 3rd Function Hydraulics
- Hydraulic Hose Protection
- Lincoln SKF Auto Greaser
- Luxurious Extra Large Cab
- Reverse Camera / Reverse Alarm
- FM Radio, Fire Extinguisher, Drink Holder & Glass Breaker
- Battery Isolation Switch
- Adjustable Steering Column
- Sound Proofing, Cab Fan & Sun Visor
- Electric Park Brake
- UV Protected Windows
- Australian Standards Air Conditioning
- LED Light Bars Front & Rear
- LED Lights, Blinkers, Hazards & Mirrors
- Excellent Filter Access & Engine Components

Available Extras:

- Numerous Attachments
- Soft Ride
- Rear Rippers
- On Road Package
- UHF
- Registration

Finance Available

IAN EVANS
0427 180 673
IAN@TOUGHINDUSTRIAL.COM.AU

SHANE BLUMSON
0436 521 151
SHANE@TOUGHINDUSTRIAL.COM.AU



LOCATION: 15 CARDIFF CRT. CAVAN. ADELAIDE - SOUTH AUSTRALIA

REACT

QUALITY FIRST



WG200 WHEEL LOADER - 240HP

SPECS SHEET

TECHNICAL SPECIFICATIONS - 6 TON CAPACITY

Performance

Rated Load	6,000 kg
Overall Weight	20,000 kg
Bucket Capacity	3.5 m ³
Underbelly Clearance	540 mm
Max. Dump Height	3,700 mm
Max. Dump Reach	1,600 mm
Overall Dimension	Length 8,900 mm Width 3,000 mm Height 3,510 mm

Engine

Model	Cummins 6CTA8.3-C240
Type	Turbocharged / Water Cooled
Rated RPM	2,200 rpm
Rated Power	179 kw
Max. Torque	

Service Refill Capacities

Fuel	300 ltr
Hydraulic Oil	260 ltr
Engine Oil	19 ltr
Transmission	35 ltr

Transmission

WG200

Type	Powershift Transmission
Gears	4 Forward, 3 Reverse
Working Pressure	16 mpa
Max. Speed	38 km/h

Drive Axle

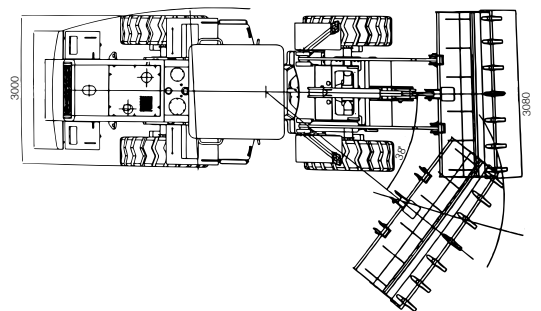
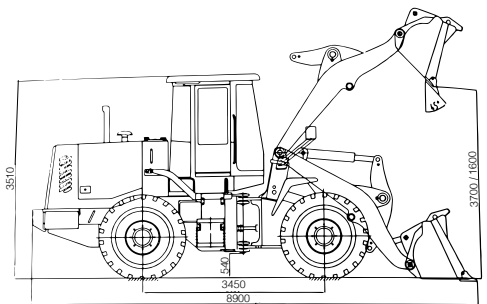
Decelerating Mode	Planetary reduction
Wheel Base	3,450 mm
Inner Wheel Tread	1,900 mm
Axle Clearance	550 mm

Hydraulic System

System Working Pressure	18 mpa
Boom Lifting Time (max load)	5.5 Sec
Lowering Time (empty)	4.5 Sec
Dumping Time (empty)	4.5 Sec
Working Pressure	18 mpa
3rd Function Oil Flow	180 - 200 lpm

Tyres

Type	26.5-25 (20ply)
Front Tyre Pressure	60 psi
Rear Tyre Pressure	55 psi



Prices exclude GST

WWW.REACTINTERNATIONAL.COM.AU