

REACT**TEU**

FD/G Series 15-18 Counter Balanced Forklift



Three Features



1 Cleaner, more efficient Engines

New engines, compliant with worldwide stage IIIA emission regulations (ISUZU C240PKJ Diesel powered engine)

2 Easy Maintenance

Detachable side covers for convenient inspection and simple maintenance. Integral layout of electrical parts and other system devices.

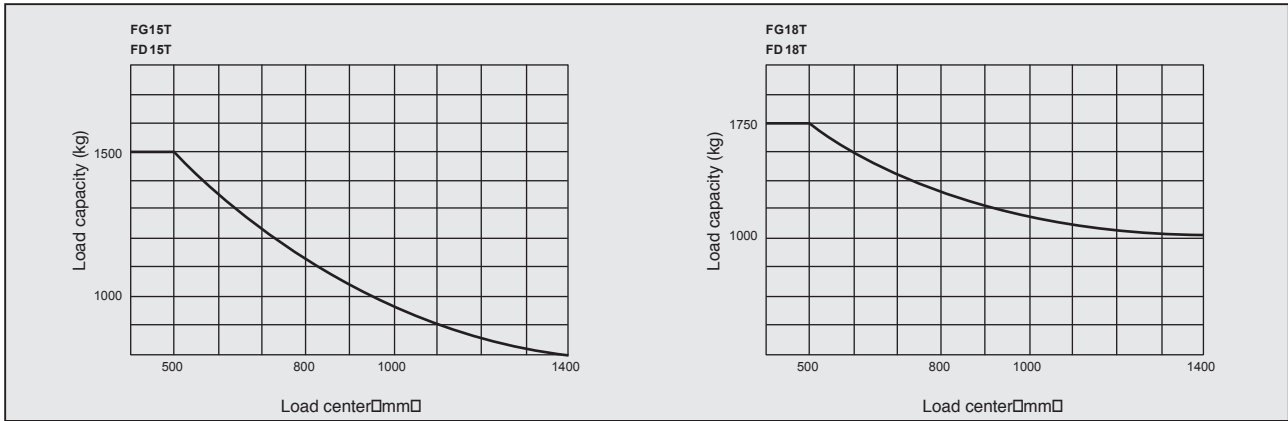


3 Easier entry and exit form an extra-wide step

The secure step with enlarged foot space enables greater comfort and less fatigue while entering and exiting the vehicle.

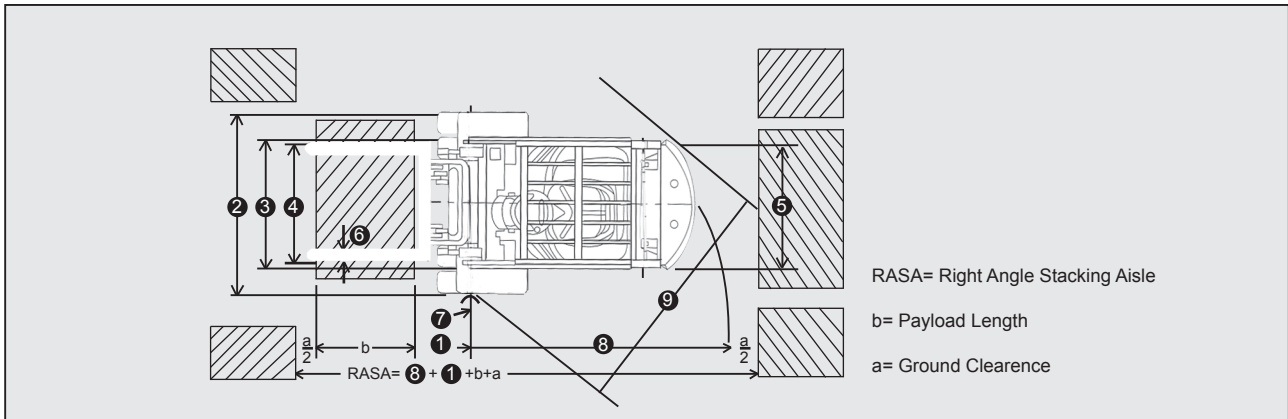
■ Main Truck Specifications

| Specifications | 1 | Manufacturer | | | TEU | | | | |
|------------------|--|---|------------------------|-------------------------|----------------|-------------------------|----------------|-------|------|
| | 2 | Model | | Power shift T/M | FD15T | FD18T | FG15T | FG18T | |
| | 3 | Load capacity | | kg | 1500 | 1750 | 1500 | 1750 | |
| | 4 | Load center | | mm | 500 | | 500 | | |
| | 5 | Power unit | | | Diesel | | Gasoline / LPG | | |
| | 6 | Operator type | | | Driver / seat | | Driver / seat | | |
| | 7 | Tire type | Front/rear | | Pneumatic | | Pneumatic | | |
| | 8 | Wheels | Front/rear | | 2/2 | | 2/2 | | |
| Dimensions | 9 | Max.lifting height | | mm | 3000 | | 3000 | | |
| | 10 | Free lift | | mm | 155 | | 155 | | |
| | 11 | Fork size L × W × T | | mm | 920 × 100 × 35 | | 920 × 100 × 35 | | |
| | 12 | Tilt range Mast forward / Back ward | | deg | 6/12 | | 6/12 | | |
| | 13 | Overall length (without fork) | | mm | 2245 | 2275 | 2245 | 2275 | |
| | 14 | Total width | | mm | 1070 | | 1070 | | |
| | 15 | Mast height (fork lowering) | | mm | 1995 | | 1995 | | |
| | 16 | Overall height fork raised (with backrest) | | mm | 4030 | | 4030 | | |
| | 17 | Height of head guard | | mm | 2060 | | 2060 | | |
| | 18 | Turning raduis (outside) | | mm | 2040 | 2070 | 2040 | 2070 | |
| | 19 | Load distance(front face of fork to front axle) | | mm | 395 | 395 | 395 | 395 | |
| 20 | Min. right angle stacking aisle(not add load length&clearance) | | mm | 2435 | 2465 | 2435 | 2465 | | |
| Performance | 21 | Speed | Max.Travelling | full load | km/h | 14 | | 14 | |
| | no load | | | km/h | 14.5 | | 14.5 | | |
| | 22 | | Lifting | full load | mm/s | 440 | 410 | 450 | 420 |
| | | | | no load | mm/s | 500 | | 450 | |
| | 23 | | Lowering | full load | mm/s | 370 | 350 | 330 | 330 |
| | | | | no load | mm/s | 530 | | 520 | |
| 24 | Max.drawbar pull | | full/no load | kg | 1130/690 | | 1420/690 | | |
| 25 | Gradeability at 1.6km/h | | full/no load | % | 21/18 | 18/16 | 20/18 | 18/17 | |
| Weights | 26 | Truck weight | | kg | 2550 | 2780 | 2520 | 2740 | |
| | 27 | Weight distribution | Full load | front | kg | 3580 | 3950 | 3560 | 3930 |
| | | | | rear | kg | 470 | 560 | 460 | 560 |
| | 28 | No load | front | kg | 1110 | 1070 | 1090 | 1050 | |
| rear | | | kg | 1440 | 1710 | 1430 | 1690 | | |
| Chassis & Wheels | 29 | Front wheel | | | 6.50-10-10PR | | 6.50-10-10PR | | |
| | 30 | Rear wheel | | | 5.00-8-10PR | | 5.00-8-10PR | | |
| | 31 | Wheelbase | | mm | 1425 | | 1425 | | |
| | 32 | Tread | Front | mm | 890 | | 890 | | |
| | | | Rear | mm | 900 | | 900 | | |
| | 33 | Ground clearance | At lowest point (mast) | mm | 115 | | 115 | | |
| Frame | | | mm | 105 | | 105 | | | |
| 34 | Brake | Service brake | | Hydraulic - foot pedal | | Hydraulic - foot pedal | | | |
| | | Parking brake | | Mechanical - hand lever | | Mechanical - hand lever | | | |
| Drive Line | 35 | Battery | Voltage / capacity | V/AH | 12/80 | | 12/60 | | |
| | 36 | Engine | Model | | C240 | | K21 | | |
| | | | Rated power | KW/rpm | 34.3/2500 | | 31.2/2250 | | |
| | | | Rated torque | N-m/rpm | 138/1800 | | 144/1600 | | |
| | | | Number of cylinder | | 4 | | 4 | | |
| | | | Displacement | L | 2.369 | | 2.065 | | |
| | 37 | Fuel tank capacity | | L | 50 | | 50 | | |
| 38 | Transmission | Speed forward / backward | Power shift T/M | 1-1Power shift T/M | | 1-1Power shift T/M | | | |
| 39 | Operating pressure | Hydraulic system pressure | kg/cm ² | 180 | | 180 | | | |



Notes:

Vertical axis represents load capacity; Horizontal axis shows load center, Load center is determined from front face of the fork.
 Capacity based on a 1000mm cube load configuration with the center of gravity at the true center of the cube, and standard fork.
 The load capacity will be reduced while the mast tilt forward or loading with long fork or lifting transformable width of goods.
 Getting the load capacities at the various load centers timely via the load curve.
 TEU's products and specifications change without prior notice.
 TEU forklift truck has equipped with standard safety device.
 TEU is not responsible for the damage occurred by removing its safety device.



Specifications(front single tires)

| Model | FG/D15T | FG/D18T |
|-----------------------------|---------|---------|
| | (mm) | (mm) |
| ① Front Overhang | 395 | 395 |
| ② Total Width | 1070 | 1070 |
| ③ Front Track | 890 | 890 |
| ④ Fork Spread (outside) | 200~920 | 200~920 |
| ⑤ Rear Track | 900 | 900 |
| ⑥ Fork Width | 100 | 100 |
| ⑦ Turning Radius (inside) | 110 | 110 |
| ⑧ Turning Radius (outside) | 2040 | 2070 |
| ⑨ Right Angle Turning Aisle | 1840 | 1870 |

Standard equipments:

Wide view mast, Cyclone air cleaner, Load one-way valve, Preheat indicator, King Pin, Engine-start switch, Standard backrest, Long-life tires, Overhead guard, Oil and water separator, Power steering, Adjustable steering column, Radiator water tank, Side roller, Standard carriage. Oil temperature cooler, Headlamp and steering indicator lamp, Charge indicator lamp, Hour meter, Oil warning light of engine. Water temperature gauge, Fuel gauge, Reversing light, Electric horn, Neutral-safety switch, Rear mirror, Tools, Reversing Buzzer, General seat.

Options:

Fire extinguisher, cab, Heater unit, Rear work light, Solid tires, Fireproof silencer, Upper exhaust pipe, Tilt cylinder jacket, Rotating warning light, LPG Conversion device, Pre-filtration air intake device.

Attachments:

Side shifter, Fork positioner, Carpet boom, Fork extension, Longer forks, Clamps, Others

Wide view mast VM

| Mast model | Load center 500mm | | Max.lift height | Mast height | | Tilt range fwd / bwd | (3) Weight | |
|------------|-------------------|---------------|-----------------|--------------|-----------------------------|-------------------------|------------|--------|
| | FG/D 15T | FG/D 18T | | fork lowered | (1) fork lift with backrest | | FG 15T | FG 18T |
| | kg | kg | | mm | mm | | mm | deg |
| VM250 | 1500 | 1750 | 2500 | 1745 | 3530 | 6 - 12 | 2490 | 2710 |
| VM270 | 1500 | 1750 | 2700 | 1845 | 3730 | 6 - 12 | 2505 | 2725 |
| VM300 | 1500 | 1750 | 3000 | 1995 | 4030 | 6 - 12 | 2520 | 2740 |
| VM330 | 1500 | 1750 | 3300 | 2145 | 4330 | 6 - 12 | 2540 | 2760 |
| VM350 | 1500 | 1750 | 3500 | 2245 | 4530 | 6 - 12 | 2550 | 2770 |
| VM375 | 1500 | 1750 | 3750 | 2370 | 4780 | 6 - 6 * 6 - 12 | 2565 | 2785 |
| VM400 | 1500 | 1650 *1750 | 4000 | 2545 | 5030 | 6 - 6 * 6 - 12 | 2610 | 2830 |
| VM425 | 1400 * 1500 | 1500 *1750 | 4250 | 2670 | 5280 | 6 - 6 * 6 - 12 | 2625 | 2845 |
| VM450 | 1400 * 1400 | 1500 *1650 | 4500 | 2795 | 5530 | 6 - 6 * 6 - 12 | 2640 | 2860 |
| VM475 | 1000 * 1350 | 1000 *1500 | 4750 | 2920 | 5780 | 6 - 6 * 6 - 6 | 2655 | 2875 |
| VM500 | 1000 * 1350 | 1000 *1500 | 5000 | 3045 | 6030 | 6 - 6 * 6 - 12 | 2665 | 2885 |
| VM550 | * 1100 | *1300 | 5500 | 3345 | 6530 | * 3 - 6 | 2835 | 3055 |
| VM600 | * 800 | *1100 | 6000 | 3595 | 7030 | * 3 - 6 | 2865 | 3085 |

2 stage free lift mast VFM

| Mast model | Load center 500mm | | Max.lift height | Mast height | | (2) free lift with backrest | Tilt range fwd / bwd | (3) Weight | |
|------------|-------------------|----------|-----------------|--------------|-----------------------------|-----------------------------|-------------------------|------------|--------|
| | FG/D 15T | FG/D 18T | | fork lowered | (1) fork lift with backrest | | | FG 15T | FG 18T |
| | kg | kg | | mm | mm | | | mm | deg |
| VFM250 | 1500 | 1750 | 2500 | 1745 | 3530 | 735 | 6 - 12 | 2550 | 2770 |
| VFM270 | 1500 | 1750 | 2700 | 1845 | 3730 | 835 | 6 - 12 | 2560 | 2780 |
| VFM300 | 1500 | 1750 | 3000 | 1995 | 4030 | 985 | 6 - 12 | 2580 | 2800 |
| VFM330 | 1500 | 1750 | 3300 | 2145 | 4330 | 1135 | 6 - 12 | 2605 | 2825 |
| VFM350 | 1500 | 1750 | 3500 | 2245 | 4530 | 1235 | 6 - 12 | 2615 | 2835 |
| VFM375 | 1500 | 1750 | 3750 | 2370 | 4780 | 1360 | 6 - 6 * 6 - 12 | 2635 | 2855 |
| VFM400 | 1500 | 1750 | 4000 | 2545 | 5030 | 1535 | 6 - 6 * 6 - 12 | 2680 | 2900 |

3 stage free lift mast VFHM

| Mast model | Load center 500mm | | Max.lift height | Mast height | | (2) free lift with backrest | Tilt range fwd / bwd | (3) Weight | |
|------------|-------------------|----------------|-----------------|--------------|-----------------------------|-----------------------------|-------------------------|------------|--------|
| | FG/D 15T | FG/D 18T | | fork lowered | (1) fork lift with backrest | | | FG 15T | FG 18T |
| | kg | kg | | mm | mm | | | mm | deg |
| VFHM360 | 1400 | 1600 | 3600 | 1745 | 4630 | 735 | 6 - 6 | 2670 | 2890 |
| VFHM400 | 1400 | 1600 | 4000 | 1870 | 5030 | 860 | 6 - 6 | 2695 | 2915 |
| VFHM435 | 1350 * 1400 | 1550 * 1600 | 4350 | 1995 | 5380 | 985 | 6 - 6 * 6 - 6 | 2720 | 2940 |
| VFHM480 | 1300 * 1350 | 1400 * 1550 | 4800 | 2145 | 5830 | 1135 | 6 - 6 * 6 - 6 | 2745 | 2965 |
| VFHM500 | 1100 * 1300 | 1150 * 1500 | 5000 | 2245 | 6030 | 1235 | 6 - 6 * 6 - 6 | 2765 | 2985 |
| VFHM540 | 850 * 1250 | 900 * 1400 | 5400 | 2370 | 6430 | 1360 | 3 - 6 * 3 - 6 | 2790 | 3010 |
| VFHM600 | 500 * 1100 | 500 * 1250 | 6000 | 2595 | 7030 | 1585 | 3 - 6 * 3 - 6 | 2860 | 3080 |

Note: (1) Max.lift height (without backrest):-470mm (2) Free lift height without backrest:+470mm; Weight without backrest:-15kg; (3) Weight of diesel forklift:+30kg(FD15T) , +40kg(FD1.8T)
The mark of * is with double tires



REACT International - Trading as Tough Industrial

Email: sales@toughindustrial.com.au

Workshop: 15 Cardiff Court, Cavan, South Australia

Contact: Tom Miletic - 0408 374 980

Ian Evans - 0427 180 673

